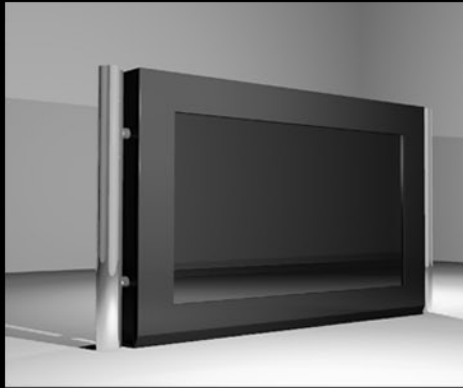


SLABB

**DESCRIPTION:**

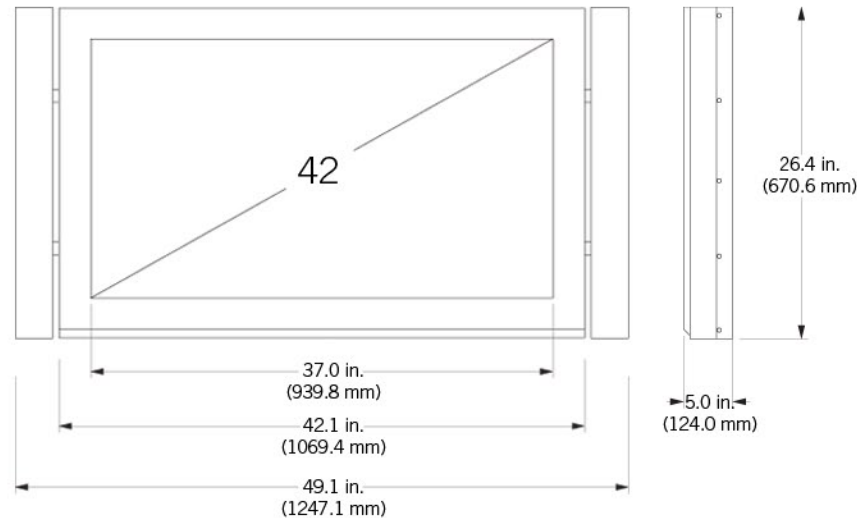
The Q-Series is a fully modular digital signage hardware platform. Our unique skin system allows for interchangeable fronts. The Q-series product has four different configurations:

Display Only: An LCD Monitor encased in a ruggedized steel enclosure with protective glass and no external buttons or cables (completely controlled by remote control).

Display and Touch: same as Display Only, but with a glass anti-vandal touch screen.

Display, Touch, and PC: same as Display and Touch, but with an internal PC (adds depth to form factor).

Display and PC: same as Display, Touch and PC, but without a touch screen.

DIMENSIONS:**SPECIFICATIONS:**

Hand Polished Stainless Steel Poles
 Ruggedized Steel Case
 Powdercoat Finish (in variety of colors)
 No exposed buttons, cables
 Remote Control
 1366 X 768 HD LCD Monitor
 VGA, S-Video, HDMI, Component Inputs
 6mm Tempered Glass Protecting LCD
 20w Internal Amplified Speakers
 VESA Mounting Compatible

OPTIONS:

Flat Wall Mount Brackets
 Internal Video Player
 Internal DVD Player
 Internal PC
 Internal Touchscreen
 Wall Mount
 Ceiling Mount
 Floor Mount
 Array Mount

FINISHES:

Stainless Steel Enclosure
 Carbon Fiber Skin
 Copper Skin
 Aluminum Anodized Skin
 Logo Vinyl or Silkscreened

Q42L